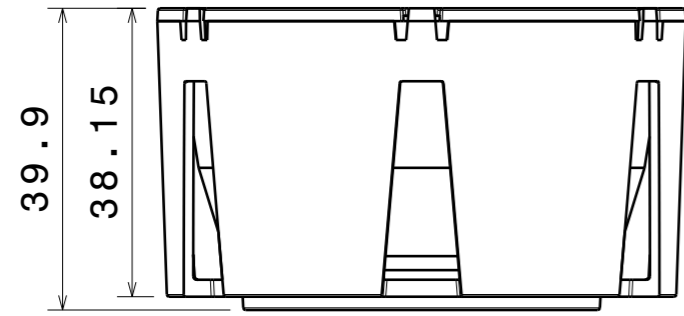
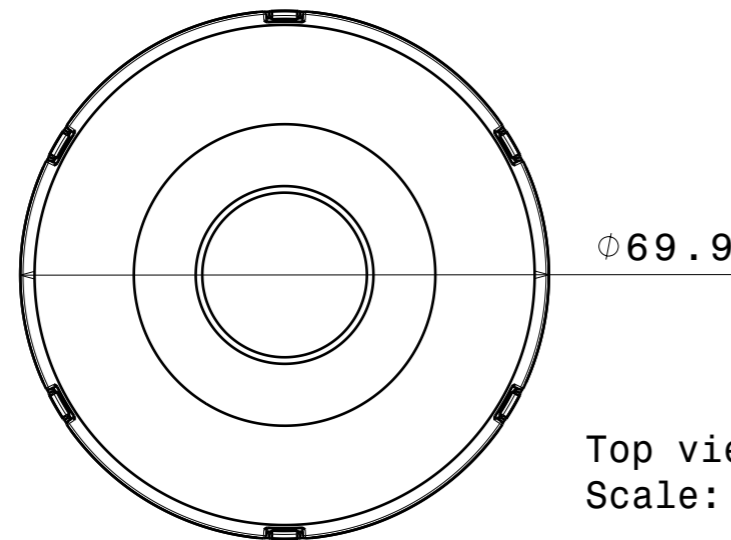


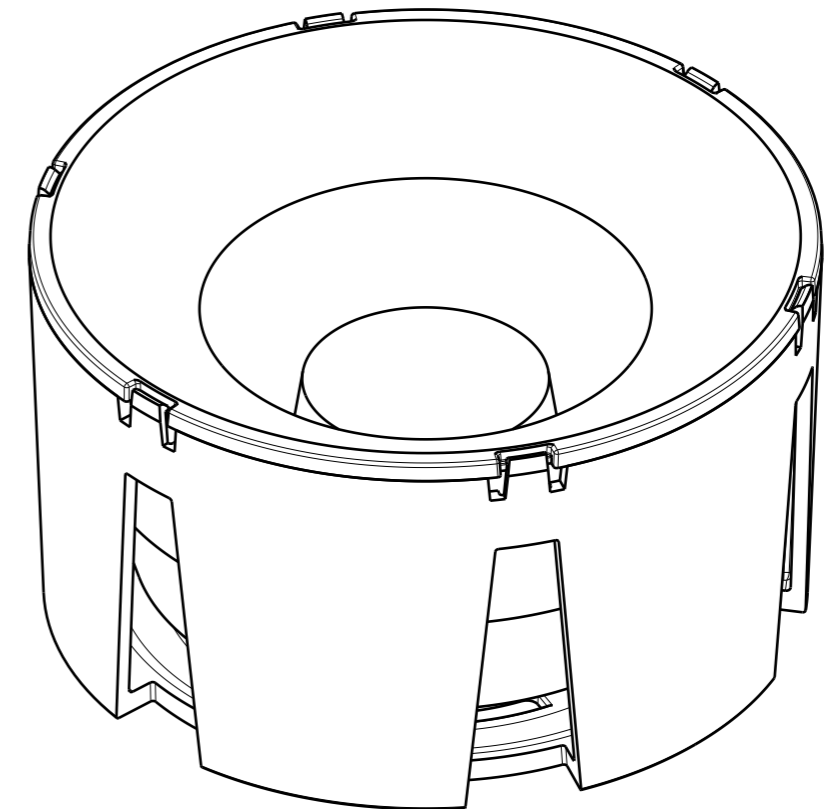
Bottom view
Scale: 1:1



Front view
Scale: 1:1



Top view
Scale: 1:1



Isometric view
Scale: 3:2

CP17575_YASMEEN-70-WW-C-WHT

COMPONENTS

INDEX	PART	TYPE	MATERIAL	COLOR / COATING
1	C17560_YASMEEN-70-HLD-C-WHT		PC	white
2	C17241_YASMEEN-70-WW			

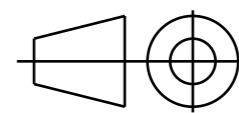
MECHANICAL DRAWING

PRODUCT
YASMEEN

LEDiL[®]

Plastic moulding general tolerances according to DIN 16901-130 and applies if not otherwise shown in the drawing.
Silicone moulding general tolerances according to ISO 3302-1 Class M3 and applies if not otherwise shown in the drawing.

FIRST ANGLE PROJECTION:



This drawing is the property of LEDiL Oy. It may not be copied or otherwise distributed without prior written permission from LEDiL Oy.

SCALE	3:2	WEIGHT	79.907 g	A3	SHEET 1/1
-------	-----	--------	----------	----	-----------

Notes

- PCB or heatsink level.
- LED location
- Ensure LED fitting from a product specific 3D model available from www.ledil.com
- For more details about installation please see LEDiL Installation Guide on www.ledil.com